

# Yealink WH62 Datasheet

## Excellent Work Partner for Phone and UC Communication

The Yealink WH62 is a new entry-level DECT wireless headset, with WH62 Dual and WH62 Mono two models. Work seamlessly with major UC platforms and integrate natively with Yealink IP phones. Yealink's Full-band Audio Technology and Acoustic Shield Technology make you talk and hear clearly during phone calls and enjoy the stereo, crystal music experience. With easy on-ear control, interruption-free, and comfortable wearing, WH62 is a nice partner for either communicating or collaborating.



Acoustic Shield Technology



Optima Audio Experience



All Day Wearing Comfort



Built-in Ringer



Multiple Devices Connection



Customizable Busylight



Easy Management



Plug and Play



WH62 Mono



WH62 Dual

## Key Features

- 2 Micro-USB connection
- Ringer on the base
- Supports busylight
- Yealink Acoustic Shield Technology
- Teams and Skype for Business are compatible
- Talking Time up to 14h (Dual)/13h (Mono)
- Wireless range up to 160 m

### Native Integration

No more EHS adapters are needed; connect the desk phone directly with one USB cable. And 2 Micro USB ports are contained in the base, supporting connection to PC and IP phone simultaneously. Integrated deeply with Yealink IP Phones, you can just feel the crystal clear call experience at the moment of wearing WH62. Also work with popular UC platforms, achieving all-around collaboration.

### Be Heard Crystal Clearly

With Yealink Acoustic Shield Technology, the two Microphones built into the WH62 block the background noise

automatically but ensure the participant's voice is heard clearly, greatly boosting the communication efficiency.

### Interruption Free

Busylight is enabled in WH62. With the light on the headset or BLT60 on the desk turning red, people around you would know that you are on the phone, instead of unknowingly interrupting you. Just stay focused on the conversation, for higher efficiency, for better collaboration.

### All-Day Comfort

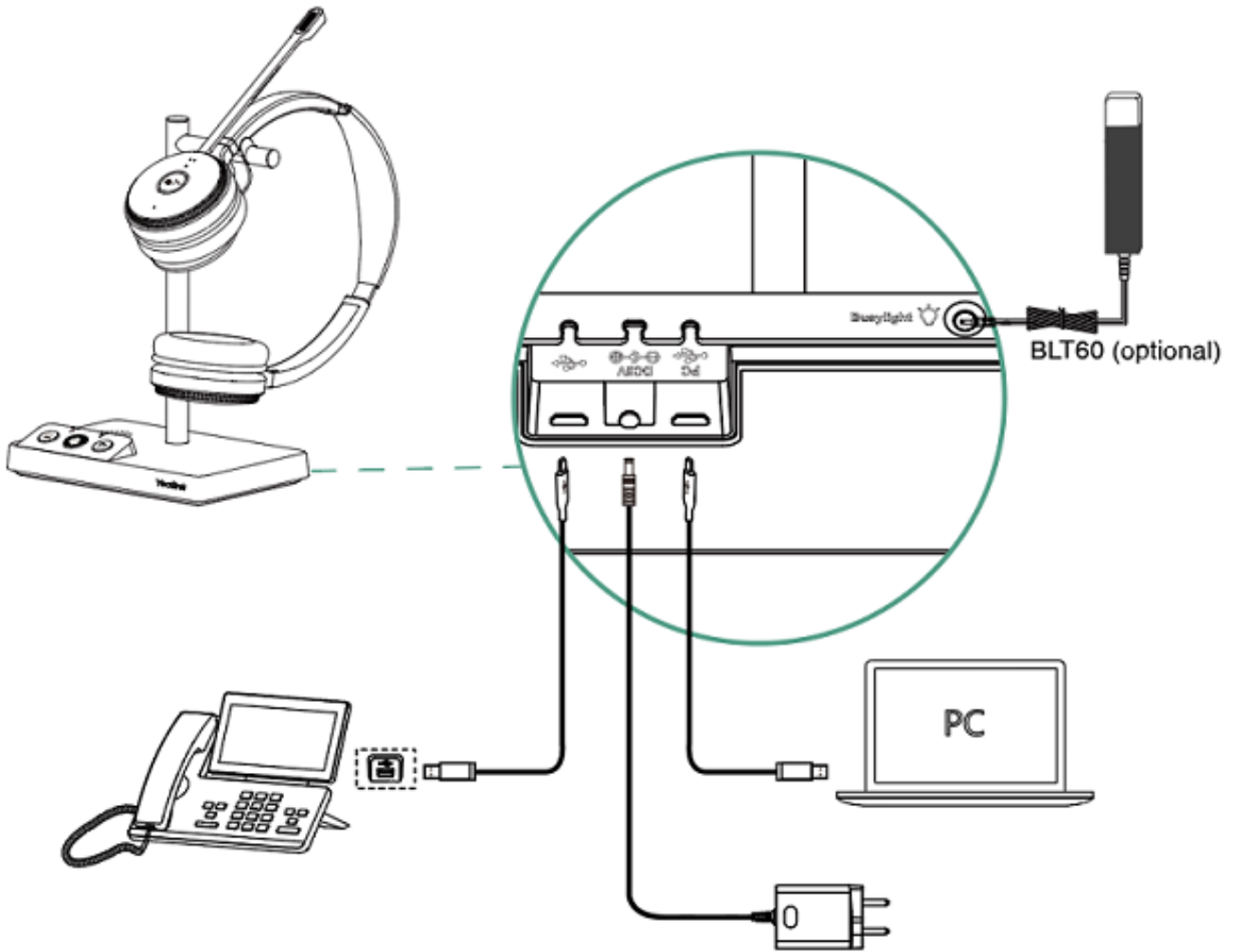
Based on hundreds of head form evaluations and thousands of wearing comfort tests, WH62 well meets the ergonomic requirements. Besides, with premier soft leather cushions and a lightweight design, you can wear it all day comfortably. The WH62 conference headset can also free you up to 160 m away from the desk for more workspace freedom.

## Specifications

Specifications	Introduction
General	<ul style="list-style-type: none"> <li>• 5 feature buttons</li> <li>• 2 micro USB 2.0 ports</li> <li>• USB connectivity to PC and IP phone</li> <li>• Integrated busylight LED indicator</li> <li>• Boom arm adjustable: 320°</li> <li>• Charging stand (for headset)</li> </ul>
Battery	<ul style="list-style-type: none"> <li>• Talk time: up to 13 hours (Mono), up to 14 hours (Dual)</li> <li>• Standby time: 90 hours (Mono), 125 hours (Dual)</li> <li>• Charging time: 2.5 hours (5 V/1.2 A)</li> </ul>
DECT	<ul style="list-style-type: none"> <li>• Wireless range: up to 160 m/525 feet</li> <li>• Secure DECT (level): Step C: authentication – DSAA2, encryption – DSC2 (128 bit)</li> </ul>
Audio (Headset)	<ul style="list-style-type: none"> <li>• Microphone type: dual microphone</li> <li>• Microphone sensitivity: -44.0+/-3 dBV</li> <li>• Microphone frequency range: 100 Hz-10 kHz</li> <li>• Speaker size: <math>\Phi</math> 28</li> <li>• Speaker sensitivity: 92.5+/-3 dB, 0.179 V</li> <li>• Speaker impedance: 32+/-4.8 <math>\Omega</math></li> <li>• Speaker max output power: 30 mW</li> <li>• Speaker frequency range: 20 Hz-20 kHz</li> <li>• Talk mode: wideband, 100 Hz~8 kHz, 16 kHz sample rate</li> <li>• Music mode: full-band, 20 Hz~20 kHz, 48 kHz sample rate, Stereo (Stereo only supported by Dual headset)</li> </ul>

	<ul style="list-style-type: none"> <li>• Hearing Protection</li> <li>- Peak Block Protection (EN50332)</li> <li>- Australian G616 Protection (AU G616)</li> <li>- Daily Noise Exposure Protection</li> </ul>
Audio (Base)	<ul style="list-style-type: none"> <li>• Ringer size: <math>\Phi</math> 20</li> <li>• Ringer sensitivity: 87+/-3 dB, 0.1 W, 0.1 M</li> <li>• Ringer impedance: 8+/-1.2 <math>\Omega</math></li> <li>• Ringer max input power: 1.5 W</li> <li>• Ringer frequency range: 100 Hz-10 kHz</li> </ul>
Easy Call Management	<ul style="list-style-type: none"> <li>• Answer/End/Reject a call</li> <li>• Volume up/down</li> <li>• Microphone mute</li> <li>• Move the microphone boom arm up to mute, or down to unmute</li> </ul>
Package Features	<ul style="list-style-type: none"> <li>• Package contents: <ul style="list-style-type: none"> <li>- Base</li> <li>- Mono/dual headset</li> <li>- Power Adapter</li> <li>- 1.2 m USB 2.0 cable</li> <li>- 0.8 m USB 2.0 cable</li> <li>- Quick start guide</li> </ul> </li> <li>• Optional accessories: <ul style="list-style-type: none"> <li>- Busylight BLT60</li> </ul> </li> <li>• WH62 Mono: Base: 208 g, Headset: 80 g</li> <li>• WH62 Dual: Base: 208 g, Headset: 127 g</li> <li>• Qty/CNT: 10 PCS</li> <li>• N.W/CTN: WH62 Mono: 6.60 kg; WH62 Dual: 7.10 kg</li> <li>• Giftbox Size: 260 mm x 203 mm x 112 mm</li> <li>• Carton Meas: 575 mm x 530 mm x 218 mm</li> </ul>

## Connection



For more information, please go to the [Yealink official website](https://www.yealink.com).