

# Yealink EHS61 Datasheet

## Talk and Receive Calls Everywhere

The advanced Yealink Headset Adapter EHS61 provides a technical interface between your Yealink DECT Headset and a compatible desk phone (Mitel/Unify/Yealink T2X/T4XG). The unit is easy to install. Its plug-and-play effectively gives you the ability to remotely control your phone calls, including answering, hanging up, and adjusting the volume.

It has been specially designed to ensure maximum productivity in business applications such as receptions and call centers, and is ideal for the Corporate, Financial, Health, Government, Educational, Industrial, and SME/SoHo market sectors.



## Key Features

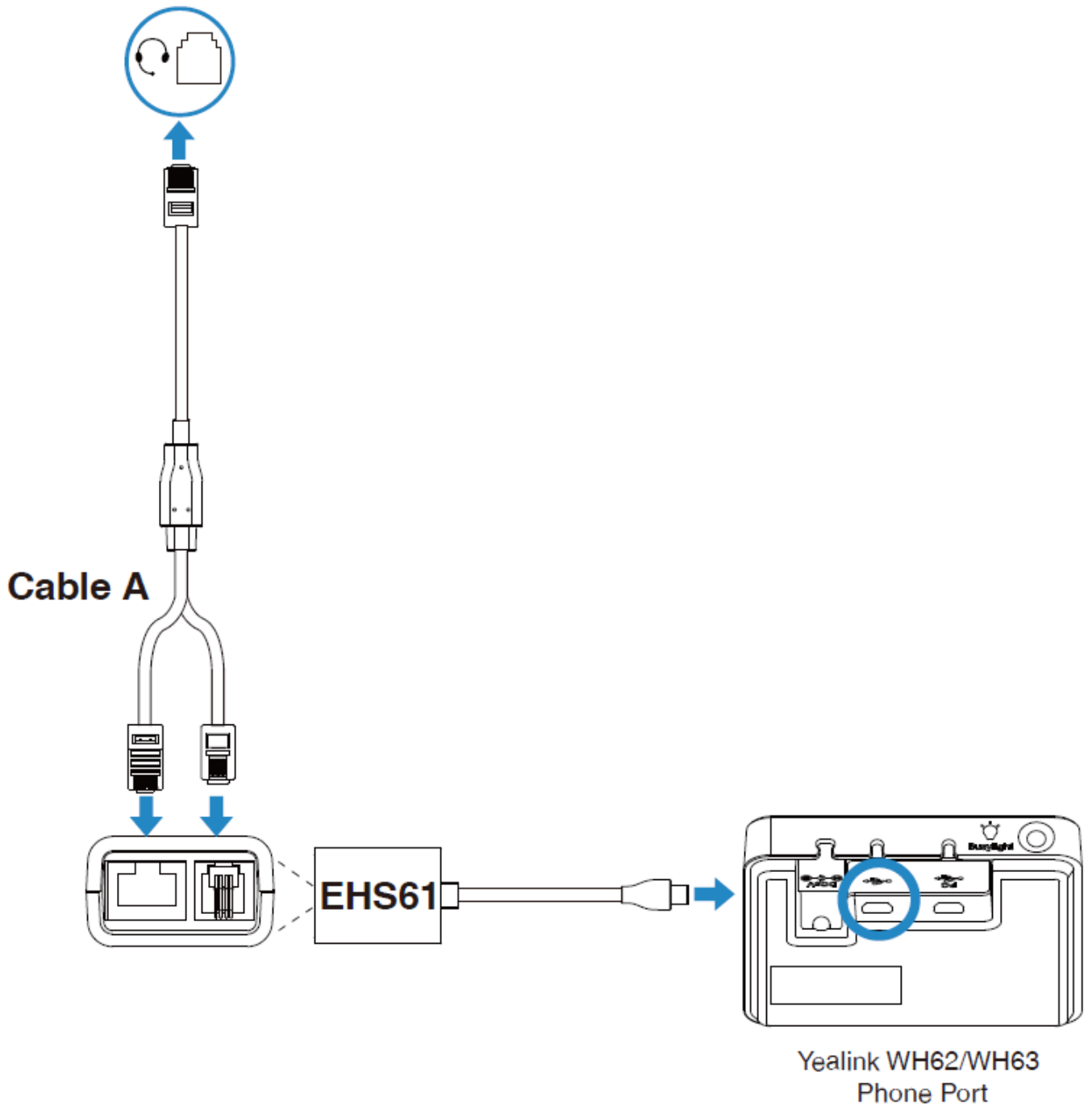
- Support Yealink wireless headset only
- Perfectly compatible with Mitel/Unify/Yealink T2X/T4XG desk phones
- Control phone through wireless headset
- Plug and play
- Easy to use

Specifications	Introduction
Main Features	<ul style="list-style-type: none"> <li>• Compatible with Yealink wireless headsets (WH62/WH63)</li> <li>• Perfectly compatible with Mitel/Unify/Yealink T2X/T4XG IP Phone</li> <li>• Plug and play</li> </ul>

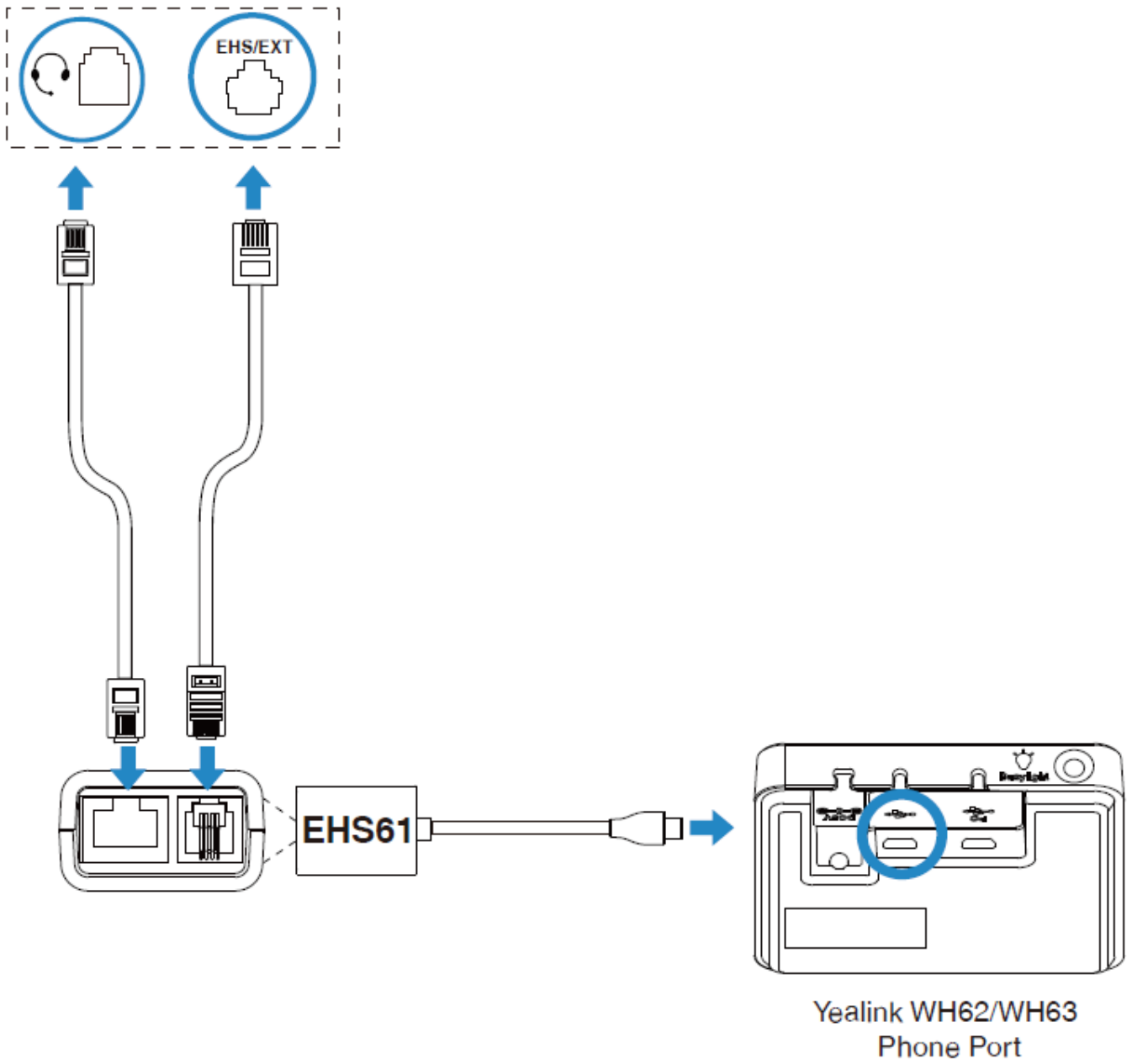
	<ul style="list-style-type: none"> <li>• The incoming call is transmitted directly to the wireless headset</li> <li>• Control calls through a remote wireless headset: <ul style="list-style-type: none"> <li>- Answer calls</li> <li>- Hang up calls</li> <li>- Adjust the volume</li> </ul> </li> </ul>
Physical Features	<ul style="list-style-type: none"> <li>• 1 x Micro USB jack for Yealink wireless headset (WH62/WH63), cable length 20 cm</li> <li>• 1 x TR9-5 (8 pins) to RJ9 (4 pins) &amp; TR9-5 (8 pins) to RJ45 (8 pins) cable to connect Mitel &amp; Unify Phones, EHS61 and headset port through the included cable</li> <li>• 1 x RJ9 (4 pins) to RJ9 (4 pins) &amp; RJ45 (8 pins) to RJ12 (6 pins) cable to connect the Yealink desk phone and EHS61 through the included cable</li> </ul>
Package Features	<ul style="list-style-type: none"> <li>• Package content: <ul style="list-style-type: none"> <li>- EHS61</li> <li>- Cable A (for connecting Mitel &amp; Unify Phones)</li> <li>- Cable B (for connecting Yealink desk phones)</li> <li>- Cable C (for connecting Yealink desk phones)</li> <li>- User Guide</li> </ul> </li> <li>• Qty/CTN: 40 PCS</li> <li>• N.W/CTN: 3.6 kg</li> <li>• G.W/CTN: 4.1 kg</li> <li>• Giftbox Size: 141 mm x 102 mm x 46 mm</li> <li>• Carton Meas: 430 mm x 243 mm x 297 mm</li> </ul>

## Connection

- **Mitel & Unify Phone**
-



- **Yealink IP Phone**
- For Yealink Phones, you can plug and play.
-



[Click here](#) to go to the product introduction on the Yealink official website.