

DHI-LPH75-ST430

75 inch Smart Interactive Whiteboard



Series Overview

Dahua DeepHub Lite Smart Interactive Whiteboard has powerful processing capabilities with its built-in 4-core CPU, 4-core GPU, 8 GB RAM, 128 GB storage, Google Certification and Android 14 operating system. With a high-precision infrared touch sensor and a 4K DLED display, this interactive whiteboard will give you an extraordinary experience whether you are writing, controlling or displaying content. It features wireless screen sharing, UHD display, scan and go, and more. Let this whiteboard be your go-to choice to digitalize your office and classrooms.

Functions

Google EDLA Certified

Enables you to easily access Google applications such as Google Chrome, Play Store, Gmail, Google Drive, and Google Docs, as well as download third-party apps from the Play Store to provide enhanced security and data protection.

4K HD Display

With up to 3840 × 2160 resolution, the 4K HD display delivers a clear image in sharp, vivid colors.

Similar to Real Writing Experience

The electronic whiteboard supports pen-point writing. It comes equipped with specialized pressure-sensitive writing pens, designed to enhance the writing experience. With its soft, comfortable nib, writing on the whiteboard feels natural, similar to the real writing experience.

Text Recognition

Converts written letters into text in real time, using the default font of the system.

- The 75-inch 4K DLED display uses zero air gap technology and is built of anti-glare tempered glass, which reduces air refraction and parallax, and enhances the effect of the display.
- Infrared touch technology, support Android under 32 points infrared touch, windows under 40 points touch, touch accuracy ± 1.5 mm, response time ≤ 8 ms.
- Easily switches between Android and Windows. The PC module requires Windows.
- Performs screen mirroring with one-click for phones, computers, tablets and more.
- Supports reverse touch.
- Offers a smooth writing experience through handwriting recognition, pen writing, the fast writing response speed, and pen pressure recognition for a real writing experience.
- Supports multiple gestures such as zoom, drag and pan. You can also erase with the point, circle or board gesture erasers, or click once to clear the screen.
- Supports laser pens.
- Annotations can be easily added to any page.
- Supports taking notes and generating QR codes for file sharing and storage. The files can be easily encrypted for privacy and security protection.
- Multiple files can be processed in batches by scanning them.

Wireless Screen Sharing

In addition to basic file sharing, the device offers wireless screen sharing, interactive operations between two screens, and reverse transmissions. It also supports screen grouping (multiple transmission), host mode (for overall permission control), and split-screen mode that displays up to 9 splits on the same screen.

Easy to Share

Enhances the experience of sharing files by scanning a code. It automatically determines the network of the device to readily share the QR code across the extranet and the intranet. QR code encryption and extraction are also featured, providing privacy and data security through the required entry of a 6-digit password for verification.

Scene

The whiteboard is ideal for indoor sites such as classrooms.

Technical Specification

Built-in System

Operating System	Android 14
CPU	Quad core Cortex-A73
CPU Frequency	1.5 GHz
GPU	Mali G52MC1
RAM	8 GB
ROM	128 GB

General

Operating System of External Module	Windows 7/8/10/11
Power Supply	100–240 VAC, 50/60 Hz
Power Consumption	178 W (basic), 280 W (max)
Standby Power Consumption	≤0.5 W
Operating Temperature	0 °C to +40 °C (+32 °F to +104 °F)
Storage Temperature	–10 °C to +50 °C (+14 °F to +122 °F)
Operating Humidity	10%–90%, 101 kPa
Storage Humidity	10%–90%, 101 kPa
Product Material	Metal casing
Glass	4 mm anti-glare tempered glass
Casing Color (Frame/Rear)	Black
Product Dimensions	1,707.5 mm × 116.7 mm × 1,041.9 mm (67.23" × 4.60" × 41.02")
Frame Size	Top frame: 28.7 mm (1.13"); Left and right frame: 17.9 mm (0.71"); Bottom frame: 61.6 mm (2.43")
Packaging Dimensions	1,790.0 mm × 200.0 mm × 1,165 mm (70.47" × 7.87" × 45.87") (L × W × H)
Net Weight	47.5 kg (104.72 lb)
Gross Weight	58 kg (127.87 lb)
Holes Distance	600 mm × 400 mm (23.62" × 15.75")
Installation	Wall mount or mobile bracket
Packing List	1 × Smart Interactive Whiteboard 1 × Power Cord 2 × Stylus Pen 1 × Quick Start Guide 1 × Wall Mount Bracket 1 × Remote Control 1 × Legal and Regulatory Information 1 × Wall-mount Screw Pack 2 × Aerial Rod

LCD Panel

Screen Size	75 inch
Backlight	DLED
Aspect Ratio	16:9
Brightness	400 cd/m ² (typ.)

Static Contrast Ratio	VA: 4000: 1 (typ.); IPS: 1200: 1 (typ.)
Resolution	3840 (H) × 2160 (V)
Viewing Angle	178° (H)/178° (V)
Lifespan	≥50,000 hrs
Display Color	72% NTSC
Response Time	≤ 8 ms
Refresh Rate	60 Hz

Device Ports

Light Sensor	1
Front Button	1 button: Power supply
Front Ports	1 × USB Touch Type-B 2.0 port 1 × HDMI IN (4K@60 Hz) port 2 × USB 2.0 Type A (switchable) port 1 × TYPE-C (USB data transmission , 5 V 1 A charge) port
Rear Port	1 × RS-232 port 1 × USB Touch Type-B 2.0 port 2 × HDMI IN (4K@60 Hz) port 1 × RJ-45 IN (10/100 Mbps) port 1 × USB 2.0 Type A (switchable) port 1 × USB 3.2 Gen1 Type-A port 1 × MIC IN port 1 × LINE OUT port 1 × OPTICAL port
Others	1 × OPS port
Wi-Fi	Yes
Wi-Fi Standard	802.11 a/b/g/n/ac/ax
Wi-Fi Frequency Range	2400–2483.5 MHz 5150–5250 MHz 5250–5350 MHz 5470–5725 MHz 5725–5850 MHz
MAX Power Transmission (Wi-Fi)	≤20 dBm@2400–2483.5 MHz ≤23 dBm@5150–5250 MHz ≤20 dBm@5250–5350 MHz ≤27 dBm@5470–5725 MHz ≤14 dBm@5725–5850 MHz
Bluetooth	Yes
Bluetooth Standard	BR/EDR/BLE, BT5.4
Bluetooth Frequency Range	2400–2483.5 MHz
MAX Power Transmission (Bluetooth)	≤20 dBm@2400–2483.5 MHz

Function

IR Receiver	1
-------------	---

Touchscreen

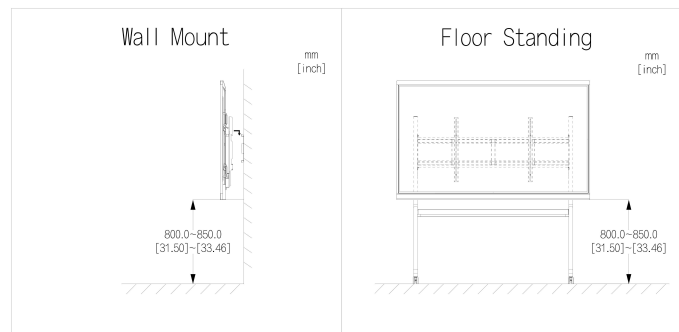
Touch Technology	Infrared
Attachment Method	Zero Air Gap
Response Time	≤5 ms
Touch Points	Windows: 40 points Android: 32 points

Touch Accuracy	±1.5 mm
Valid Touch	2 mm (0.08") (covers 90% of the area)
Touch Height	≤2 mm
Writing Mode	Finger and stylus pen (magnetic)
Communication Mode	USB + UART
Anti-light Interference	Anti-glare tempered glass
Surface Hardness	≥ 9 H
Touch Resolution	32767 × 32767
Speaker	
Built-in Speaker	2 full-range speakers; The power of a single speaker is not less than 20 W
Power	2.0 sound channel, front-end: 2 × 20 W
Frequency	140 Hz–20 kHz
Certification	
Certifications	CE; EDLA; Energy Star

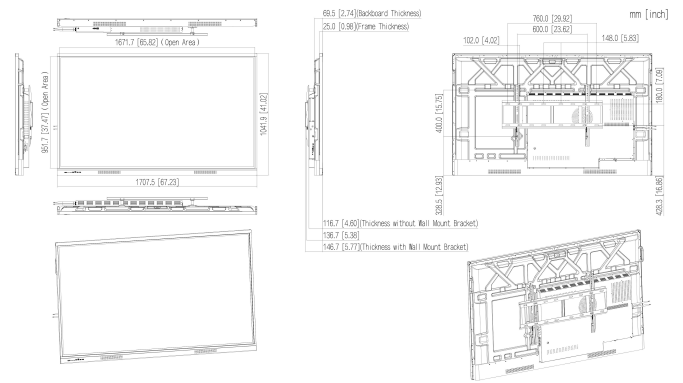
Ordering Information

Type	Model	Description
Smart Interactive Whiteboard	DHI-LPH75-ST430	75 inch Smart Interactive Whiteboard

Installation



Dimensions (mm[inch])



Panels

